

VX SERIES

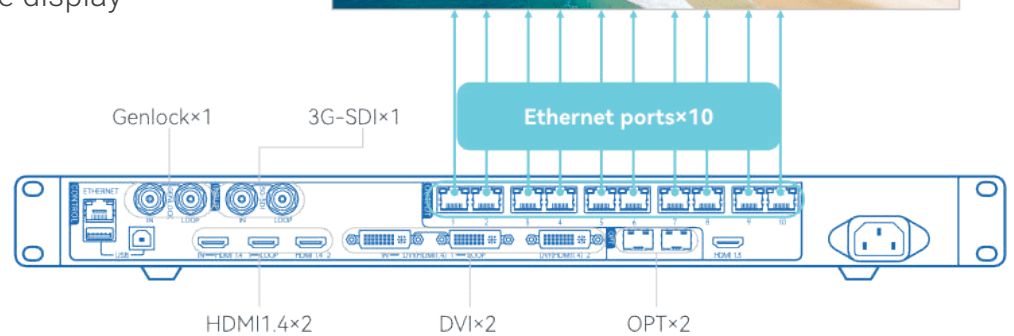
SIMPLICITY MEETS **POWER**

The VX series is an all-in-one video controller that consolidates NovaStar processing and video control into one box. Provides high performance video processing and LED display management solutions. Designed for versatility, the VX series serves a wide range of applications with a modern design and advanced features. Experience exceptional image quality, ease of use and expandability with the Novastar VX Series.



UNLEASH THE POWER OF VISUALS WITH THE VX SERIES

The VX series offers exceptional image and video processing. It can handle up to 6.5 million pixels, enabling sharp, detailed visuals on high-resolution LED displays. With support for massive resolutions up to 10,240 x 8,192 pixels, and advanced features like scaling and signal conversion, the VX series delivers smooth, accurate, and visually stunning experiences for any large-scale display



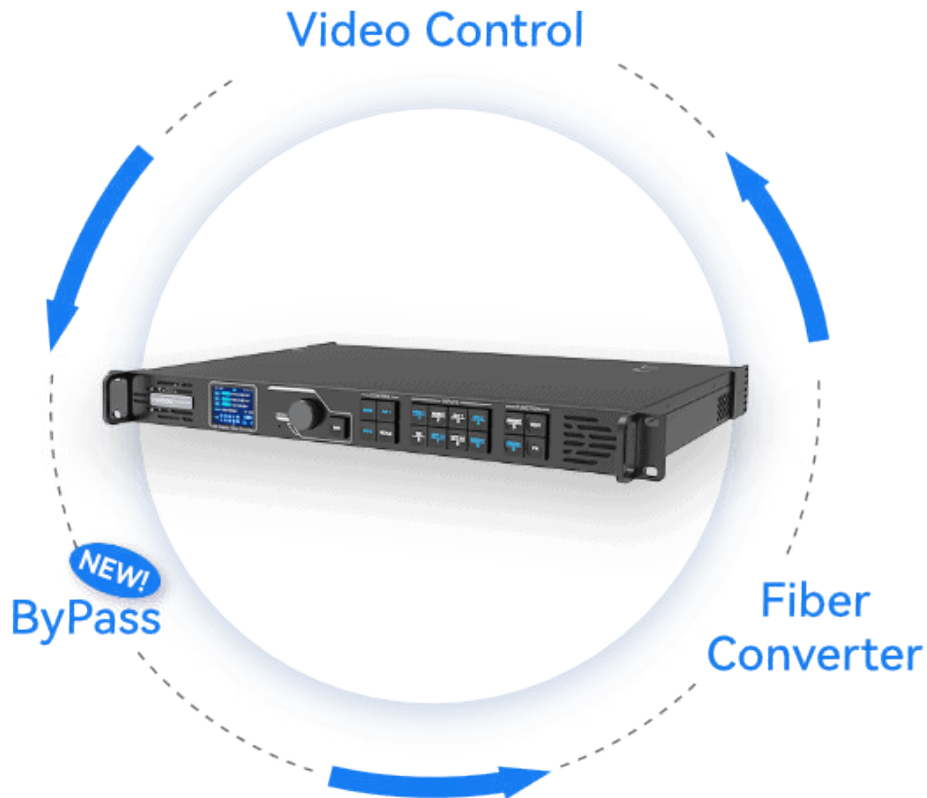
HIGH IMAGE QUALITY 4K WITH 3 LAYERS

- 4K x 1K@60Hz high resolution input, 4K x 1K point to point display
- 3 x 4K layers, free scaling for each layer



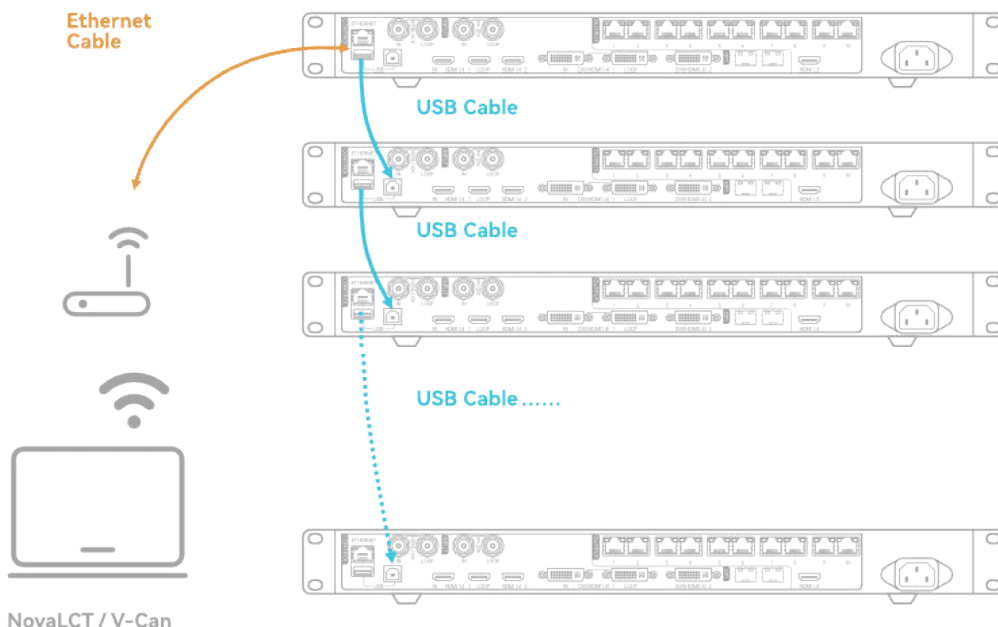
ONE DEVICE 3 WORKING MODES

Video Controller, ByPass, Fiber Converter, free switching between three modes



COMPLETE REDUNDANT SYSTEM FOR MAXIMUM STABILITY

Support for redundant input source, system configuration, ethernet ports, and devices Providing total security from start to finish



CONVENIENT CONTROL

ULTRA-LOW
1 FRAME LATENCY



10 CUSTOMIZABLE
PRESETS



LONG-DISTANCE
OPTICAL TRANSMISSION



3D SOLUTION

Specification Parameter

Device Model	VX1000	VX600	VX400
Loading Capacity	6.5 million pixels	3.9 million pixels	2.6 million pixels
Max Width & Height	Max width: 10240 pixels Max height: 8192 pixels		
Layers	3x 4Kx1K	3x 2Kx1K	2x 2Kx1K
Input Connectors	1x 3G-SDI 2x HDMI 1.4 2x DVI (HDMI 1.4) 1x OPT1	1x 3G-SDI 2x HDMI 1.3 1x DVI 1x OPT1	1x 3G-SDI 2x HDMI 1.3 1x DVI 1x OPT1
Output Connectors	10x Ethernet Ports 1x HDMI1.3 1x HDMI1.4 LOOP 1x DVI LOOP 1x 3G-SDI LOOP 2x OPT	6x Ethernet Ports 1x HDMI1.3 1x HDMI1.3 LOOP 1x DVI LOOP 1x 3G-SDI LOOP 2x OPT	4x Ethernet Ports 1x HDMI1.3 1x HDMI1.3 LOOP 1x DVI LOOP 1x 3G-SDI LOOP 2x OPT
Presets	10	10	10
Control Connectors	1x Ethernet Port 2x USB (input & output) 1x GENLOCK (IN & LOOP)	1x Ethernet Port 2x USB (input & output) 1x GENLOCK (IN & LOOP)	1x Ethernet Port 2x USB (input & output) 1x Light Sensor



**CÔNG TY CỔ PHẦN PHÁT TRIỂN
ĐẦU TƯ THƯƠNG MẠI VÀ DỊCH VỤ HỒ GIA**

Trụ sở: Số 2, ngách 20, ngõ 77 Phố Lụa, Tổ Dân Phố Hồng Phong,
P. Vạn Phúc, Q. Hà Đông, Tp. Hà Nội

VPGD: PB16-08 và PB16-10 Vinhome Ocean Park, Hưng Yên

Địa chỉ kho: Số 11 TT3.2 Khu đô thị Ao Sào, Phường Thịnh Liệt,
Quận Hoàng Mai, Hà Nội

Email: ceo@skv.lighting Hotline: 0968.240.789



Zalo



Website



Tiktok