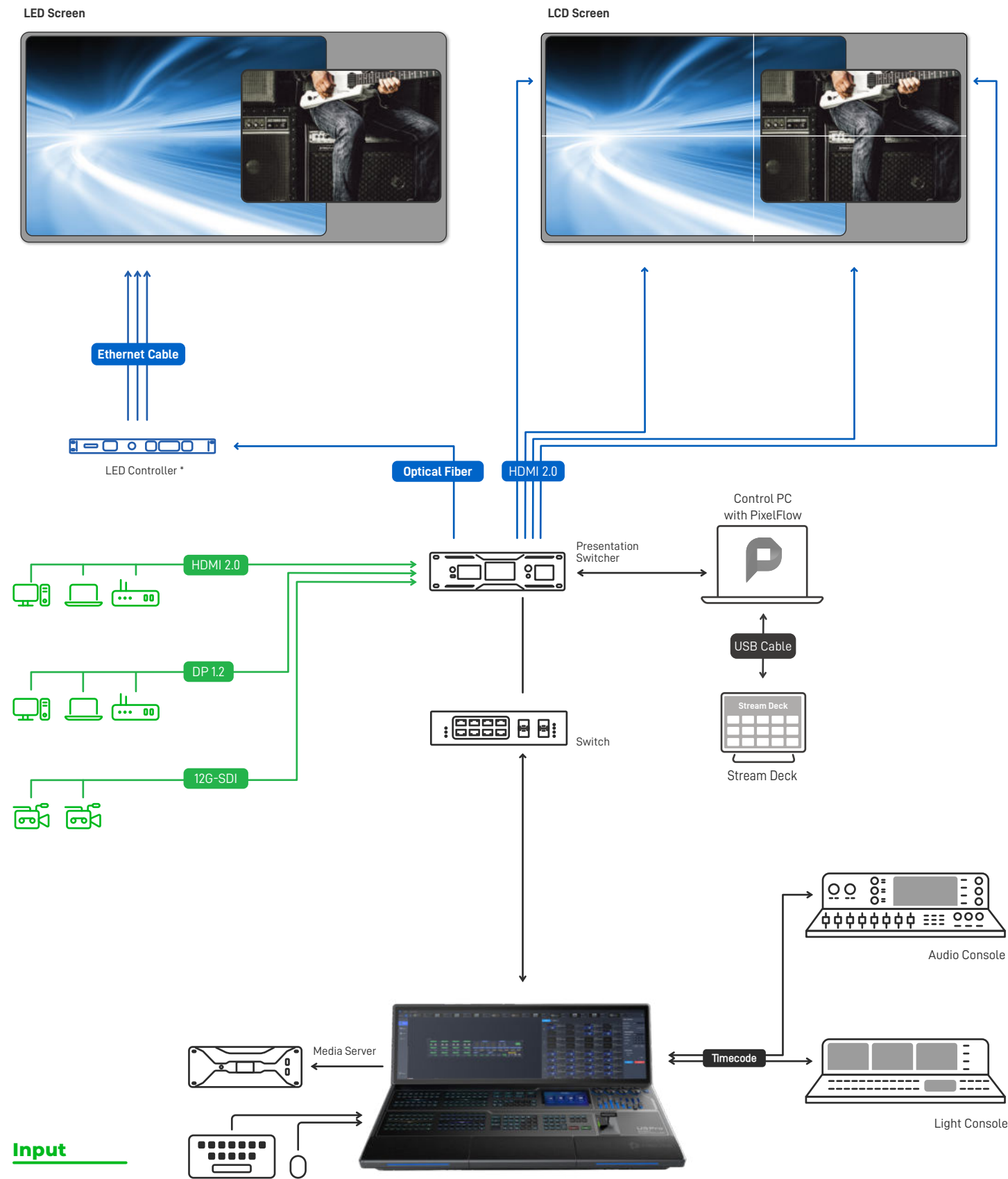
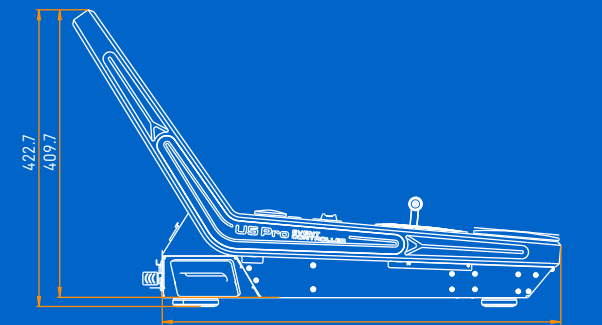
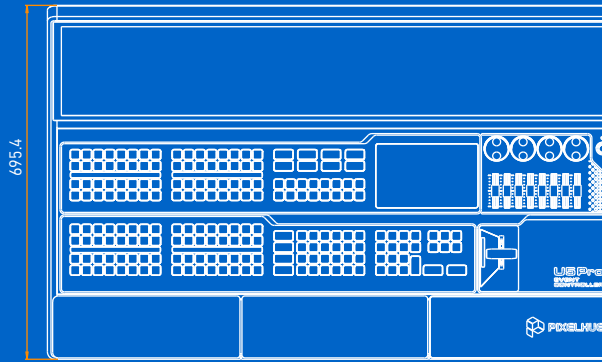
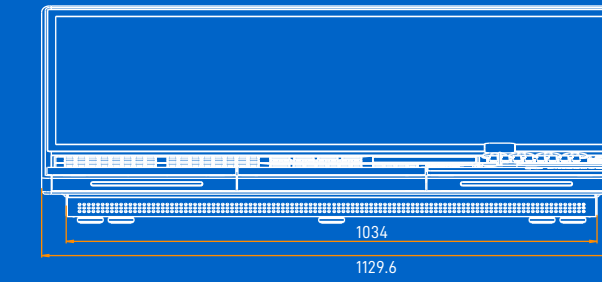


# APPLICATION



\* Only LED controllers from NovaStar are supported for now.

## Dimensions



Unit: mm

## Specifications

### Dimensions (With handles, rack ears & rack mount)

W 1129.6 mm × D 695.4 mm × H 422.7 mm  
 W 44.47 × D 27.38 × H 16.64 inches  
 Please refer to the dimension diagram for more details

### Product Weight

46 kg (Net weight)  
 107 kg (With accessories and flight case)

### Noise on Average (@1, 0.75m height)

40 dB

### Electrical Parameters

Power connector: AC100–240V~, 6A, 50/60Hz  
 Max power consumption: 330 W

### Operating Conditions

Operating Environment:  
 • Temperature: 0°C to 50°C (32°F to 122°F)  
 • Humidity: 0% RH to 80% RH, non-condensing  
 Storage Environment:  
 • Temperature: -20°C to +60°C (-4°F to +140°F)  
 • Humidity: 0% RH to 95% RH, non-condensing

### Safety Compliance

CE, FCC, IC

### Packing Information

- 2x Optional Power Cable
- 2x HDMI Cable Male to Male, 3m
- 1x Cat5e Ethernet Cable\_P-CAT5, 3m
- 1x USB Type-B to Type-A, 3m
- 1x Flight Case
- 1x Dust Cover
- 1x USB Drive
- 2x Gooseneck Lamp
- 1x Quick Start Guide
- 1x Customer Letter
- 1x Safety Manual
- 1x Certificate of Approval

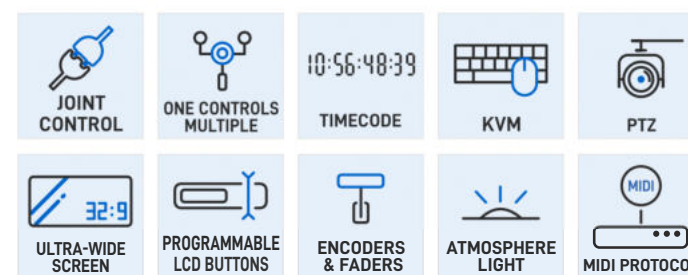
### Note:

Specifications subject to change without prior notice.

U5 Pro\_EN\_2023-12-29



www.pixelhue.com  
 info@pixelhue.com  
 010 - 8843 3970  
 1201A, 8 Caihefang Road, Haidian District, Beijing, China



## U5 Pro

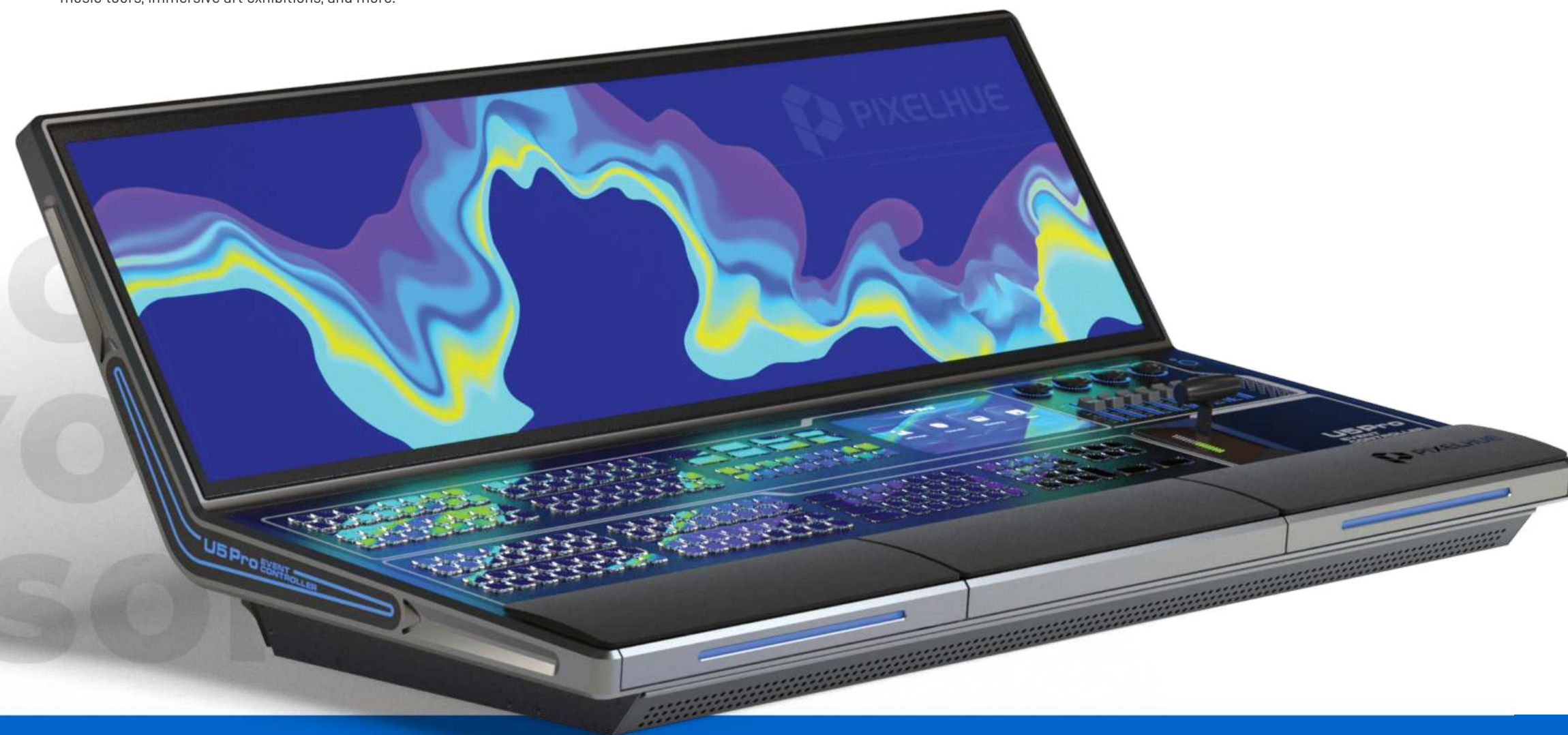
Large-Scale  
 Event Controller



# U5 Pro

Large-Scale  
Event Controller

The U5 Pro is a large-scale event controller developed by PIXELHUE. Compared to its predecessor, the U5 Pro features more innovative design highlights and more powerful and friendly operation and control experience in the field, which will further facilitate your events today, such as large-scale interactive live events or shows, music tours, immersive art exhibitions, and more.



# APPEARANCE



Ultrawide screen is designed for ultimate visualized operations. Multiple graphical user interfaces can be displayed on one screen, which also greatly simplifies the on-site deployment.



User-programmable LCD function buttons satisfy all your operation requirements. Function names, pages and more can be clearly shown on the buttons, and the button skins and styles can be customized as you wish.



Four encoders and eight faders make the event operations amazingly convenient. Also, the encoders and faders can be bound with external MIDI functions for volume adjustment and more.



Abundant standard I/O connectors are provided on the rear panel to help you connect all necessary devices at ease.



A built-in keyboard is provided to further facilitate your operations in the field; two drawers are designed to satisfy the storage needs in the event scenarios.



Maintainable and gas strut design makes regular maintenance possible and easier.

## REMARKABLE EVENT CONTROL EXPERIENCE

Equipped with the state-of-the-art core architecture and SSD(NVMe), the U5 Pro event controller enables the most fluent and fast operations. With the design concept of increasing operational efficiency and satisfying the various changing needs that may arise from event scenarios, the U5 Pro event controller comes with all the crucial functionalities that you may need. The newly-upgraded built-in software PixelFlow with always user-friendly GUI helps you manage devices, screens, layers, sources, presets more stably and easily. The magnificent interactive design maximizes user convenience and shortens your learning curve. Convenient control over multiple presentation switchers and media servers greatly simplifies your on-site deployment and brings more convenience and ease to your events. In addition, timecode generating and

accepting support, timecode format conversion ability and MIDI support add more extra value to all events.

## DISTINCTIVE DESIGN, BORN FOR MEGA-EVENTS

The U5 Pro event controller comes with a ruggedized housing, 203 user-programmable LCD buttons, four encoders and eight faders, a high-resolution T-bar, etc. to bring you the maximum ease of use for your events. What's more, the unique design of 43.8" ultrawide Main Touchscreen and 8" Smart Touchscreen enables the most visualized and convenient operations. A built-in keyboard that comes with the event controller further facilitates your on-site use and two drawers are provided for possible storage purposes. All these make it the perfect solution for various spectacular events.

## FEATURES

Built-in upgraded software PixelFlow with more user-friendly GUI, shorter learning curve

Timecode generating, receiving and conversion abilities; LTC, MTC and MIDI USB timecode formats support

Simultaneous control over multiple switchers and media servers

Control over third-party devices via MIDI protocol

Servable as a MIDI keyboard where all buttons support the MIDI protocol and feature a global MIDI switch

KVM function

PTZ control

High anticorrosive aluminum housing

43.8" Main Touchscreen and 8" Smart Touchscreen for visualized and convenient operations

Smart Touchscreen for displaying still images, timecode, device health and Multiviewer

4x encoders and 8x faders, configurable as internal software function buttons or as MIDI buttons

User-programmable LCD indication buttons for names, pages and more

Free replacement of button skins and styles

Built-in keyboard and two extra drawers

Unique design for convenient disassembly and easy maintenance

