

# Moving Head Beam Series

## 380W Moving Head Beam



### YR-380B

#### Working parameters

Voltage: AC110V-240V 50/60HZ  
Power: 550W

#### Light source parameters

Lamp: 371W original Osram bulb  
Colour temperature: 7800K

#### Effect parameters

Color wheel: 13 colors+white, with half-color effect  
6 color wheel: 1 pcs 6-color wheel, multi-color effect with prism  
Gobo wheel: 10 Pxd gobo+white+1 effect gobo  
Prism: 1 pcs double prisms, 1 pcs 16-facet prisms  
Beam angle: 1.4°, linear focus  
Atomization: 1 pcs independent atomizing plm  
Strobe: 1-13Hz, pulsing+effect+random  
Scan: Pan 540°, tilt 270°, three phrase motor, photoelectric reset and correction

#### Control parameters

Control mode: Master-slave, Auto, DMX512  
Control channel: 18CH  
Control signal: International standard DMX512 signal interface, RDM control protocol  
Display screen: Touch LCD screen, Chinese/English switchable, horizontal vertical inversion, record fault information ect.

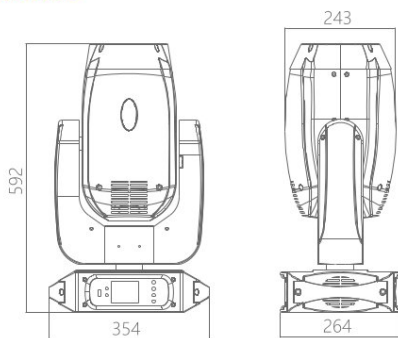
#### Security parameters

Working environment: Below 40°C  
Security protection: Power off when it is overheat or with fault  
IP Rate: IP20

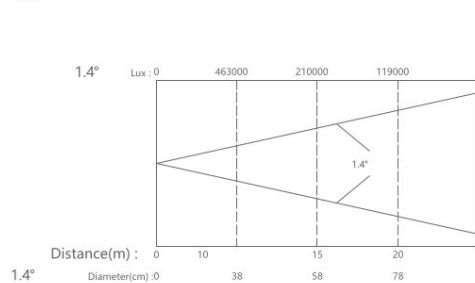
#### Packaging parameters

Product size: 354\*243\*592mm  
Net weight: 15.5kg  
Packing size: 420\*340\*675mm  
Gross weight: 18.55kg

#### Product size



#### Lux



#### Color wheel



#### Gobo wheel

