

Moving Head Beam Series

450W Moving Head Beam



YR-450B

Working parameters

Voltage: AC110V-240V 50/60HZ
Power: 650W

Light source parameters

Lamp: USHIO NSL420S bulb
Colour temperature: 7800K

Effect parameters

Color wheel: 13 colors+white, with semi-color effect
6 color wheel: 1 pcs 6-color wheel, multi-color effect with prism
Gobo wheel: 10 Pxd gobo+white+1 effect gobo
Prism: 1 pcs double prisms, 1 pcs 16-facet prisms
Beam angle: 1.4°, linear focus
Atomization: 1 pcs independent atomizing plm
Strobe: 1-13Hz, pulsing+effect+random
Scan: Pan 540°, tilt 270°, three phrase motor, photoelectric reset and correction

Control parameters

Control mode: Master-slave, Auto, DMX512
Control channel: 18CH
Control signal: International standard DMX512 signal interface, RDM control protocol
Display screen: Touch LCD screen, Chinese/English switchable, horizontal vertical inversion, record fault information ect.

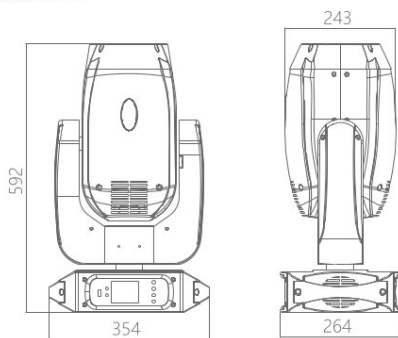
Security parameters

Working environment: Below 40°C
Security protection: Power off when it is overheat or with fault
IP Rate: IP20

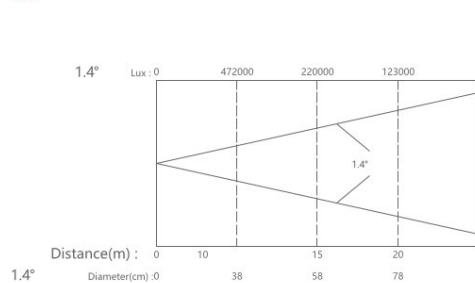
Packaging parameters

Product size: 354*243*592mm
Net weight: 15.5kg
Packing size: 420*340*675mm
Gross weight: 18.55kg

Product size



Lux



Color wheel



Gobo wheel

