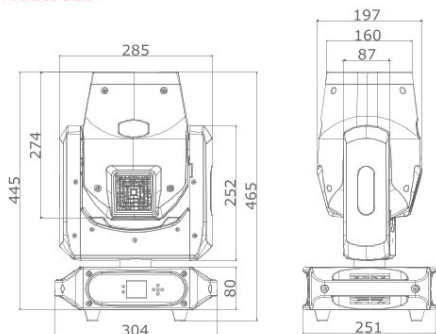


# Moving Head Beam Series

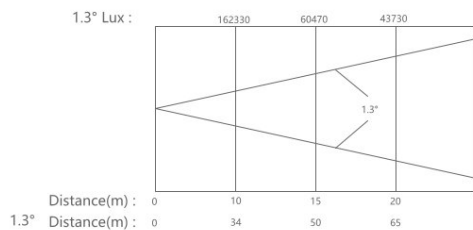
260W Moving Head Beam  
230W Moving Head Beam  
230W Moving Head Beam WITH RING



## Product size



## Lux



## YR-260BM YR-230BM/BH

### Working parameters

Operating voltage: AC100V-240V (50/60HZ)  
Rated total power: 260BM:500W 230BM/BH: 400W  
Power factor: 0.99  
Rated current: 1.82A  
Maximum ambient temperature: 40 degrees

### Light source parameter

Light source: 260BM: 260W bulb 230BM/BH:230W bulb  
Average lifespan: 2000 hours  
Color temperature: 7000K

### Effect parameters

Gobo: 1 metal legend disc: 14 legends + white light, gradually change the legend, with variable speed shaking, double to speed bow effect  
Prism: 1 three-layer 8+16+24 prism, which can be rotated independently and has a two-way variable speed rotation effect  
Six-color plate: 6 high-gloss coating colors, with the prism can produce six-color prism effect  
Frost: 1 independent frost sheet, which can convert the beam into a dyeing effect  
Scanning: Pan 540 degrees /1.9S, tilt 270 degrees /1.0S,

### Control parameters

Optical path lens: Combined lens, the light output angle of the whole lamp is 1.3°, which can realize focusing and sharp beam  
Strobe: double-chip strobe 1-30 times per second, support pulse strobe+ effect strobe + random strobe  
Dimming: linear dimming  
Control signal: DMX512 (Digital MultipleX 512) + RDM, in line with international standards for lighting control transmission Protocol  
support console setting address code, support DMX interface upgrade software  
Control channel: standard mode 16CH/extended mode 20CH  
Operation mode: console, manual, master-slave, optional DMX512 wireless signal control  
Color: 1 color wheel: 13 high-gloss coating colors + white light, step-change color, with two-way speed change  
Flow effect and rainbow  
230BH RING: RGB+ rainbow color mixing effect

### Security parameters

Life protection: When the strobe is off (that is, the light is closed) for 1 hour, the lamp will automatically bubble out, effectively protect the life of the light source  
Over-temperature protection: high sensitivity ceramic temperature control whole-process inspection, can automatically cut off the protection of light source  
IP Rate: IP20

### Packaging parameters

Product Size:30\*25\*46.5cm  
Net Weight:10.8kg  
Packing Size:37\*40\*51cm  
Gross Weight: 12.95kg