

Moving Head Beam Series

260W Moving Head Beam



YR-260B

Working parameters

Working voltage: AC110V - 240V 50/60 Hz
Power: 450 W

Light source parameter

Lamp: 260 W bulb
CCT: 8000 k

Effect parameters

Color:13+ white + semicolor effect;6-colors wheel:1 pc, multi-color effect with prism;
Gobo:13+white;
Frost : 1 pc atomizing glass.
Beam:1.2°;linear focusing;
Prism: A rotation 16 facet prism and a triple layers honeycomb prism
Strobe : 1-13 t/s, support mechanical and adjustable speed;
Scan: Pan540° 1.9S/cycle ; tilt 270° 1.1S/cycle, three phrase motor; photoelectric reset and correction ,hall I plate positioning

Control parameters

Control mode: master-slave/auto/DMX512
Control Channel: 20CH
Touch screen function: Liquid Crystal display. The screen can be inverted, Chinese and English switching, automatic screen off, every power on time and running time can be displayed, can restore factory settings;

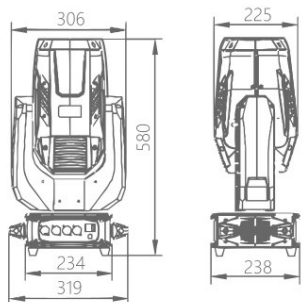
Security parameters

Working environment: Below 40°C
Security protection: Power off when it is overheat or with fault
IP Rate: IP20

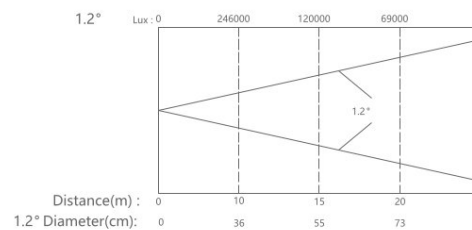
Packaging parameters

Product Size:31.9*23.8*58cm
Net Weight:14.35kg
Packing Size:41*33*68cm
Gross Weight: 16.7kg

Product size



Lux



Color wheel



Gobo wheel

