

Make Your Stage More Excellent

MOVING HEAD BEAM 420W

YELLOW RIVER YR-421B



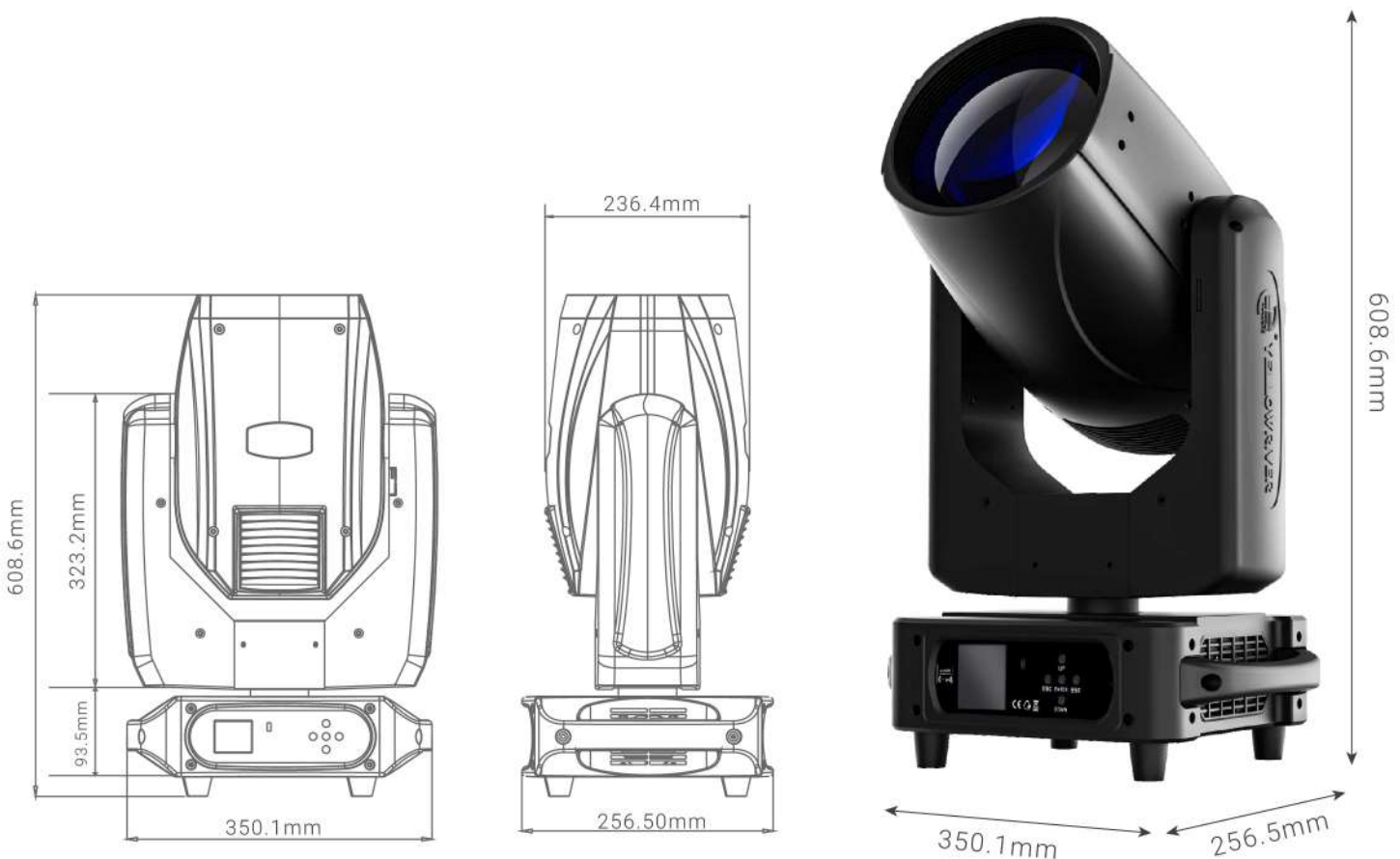
MOVING HEAD BEAM 420W

Experience unforgettable light shows with the Moving Head Beam 420W | YellowRiver YR-421B. Its powerful 420W output and wide scanning angle create stunning visual effects, perfect for professional stages and events. Designed with DJs and lighting technicians in mind, the YR-421B is both durable and easy to use.



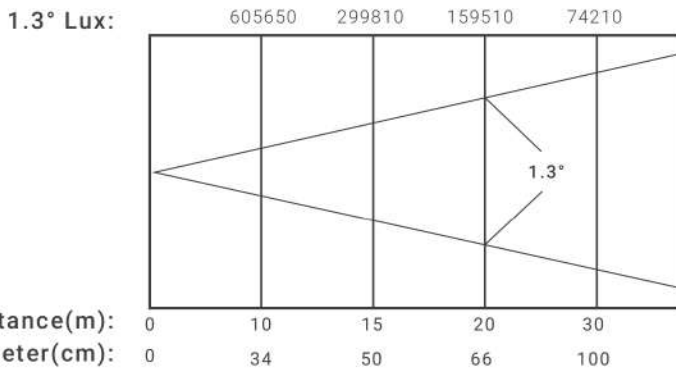
MODERN AND STRONG DESIGN

The YellowRiver YR-421B 420W moving head beam boasts a modern, robust design. Its sleek black finish exudes elegance and sophistication. Crafted from premium materials, this beam light weighs only 18kg and measures 470 x 260 x 580mm, making it incredibly portable and suitable for a wide range of applications.



SHARP LIGHT SOURCE, HIGH POWER

YellowRiver YR-421B uses a 420W high-power lamp to collect light clusters and focus. With a lamp life of up to 3500 hours, it reduces maintenance requirements. 7600K color temperature delivers crisp white light, making it a great choice for various applications

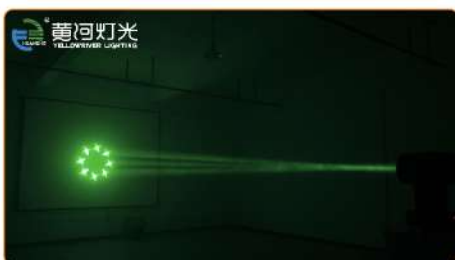


OPTICAL PATH LENS

Combined lens, the light Angle of the whole lamp is 1.4°, which can achieve focusing and sharp beam

DIVERSE AND ATTRACTIVE LIGHTING EFFECTS

Experience a world of lighting possibilities with the YR-421B 420W moving head beam. This versatile fixture offers a wide array of effects, including crisp beams, vibrant colors, and dynamic patterns, to bring your stage designs to life. Whether you're creating a high-energy concert or an intimate event, this light will help you create a truly unforgettable atmosphere.



FRIENDLY LCD SCREEN, EASY TO USE

The YR-421B's responsive LCD touchscreen offers an intuitive and quick control experience. Customize settings with just a few taps. The screen rotation and language switching features make it user-friendly for global users. Additionally, the auto-shutoff function protects the device and saves energy



HEAT DISSIPATION OF LIGHT SOURCE

The lamp is equipped with 2 4-stream turbine fans + gyroscope to control fan rotation at different angles to blow the lamp accurately + 2 high-power fans for air convection, active heating, ensuring product stability More definition.

CABLE AND FIXED CLAMP

The YR-421B beam light features a built-in high-quality signal cable attached to its base for easy use and reduced loss during transport. Two secure metal locks on the base allow for flexible and safe mounting at heights.



FLEXIBLE CONTROL METHOD

Tailored to meet your specific needs, the YR-421B 420W moving head beam supports multiple control methods such as console, manual, master-slave, DMX 512, and optional wireless control. This ensures optimal control and customization in any setting.

PRACTICAL APPLICATION



Stage



Music Lounges



Conference Hall



Bar - Karaoke



Liveshow



PRODUCT PARAMETERS

| | | |
|--------------------|----------------------------------|---|
| Light source | Light source | 420W |
| | Lifespan | 3,000 hours |
| | Color temperature | 7600K |
| Control parameters | Optical path lens | combined lens, the light Angle of the whole lamp is 1.4°, which can achieve focusing and sharp beam |
| | Stroboscopic | two-piece stroboscopic 1-30 times/second, support pulse stroboscopic + effect stroboscopic + random stroboscopic |
| | Dimming | Linear dimming |
| | Control signal & channel | DMX512(Digital MultipleX 512)+RDM, in line with international standard light control. 16/20 channel |
| | Operation mode | 16/20 console, manual, master-slave, optional DMX512 wireless signal controlchannel |
| | Heat dissipation of light source | 2pcs 4-line turbine fans + gyroscope control the rotation of the fan at different angles to accurately blow the lamp 2 high-power fans convection air, active heat dissipation, to ensure more stable products. |
| | Color | 1pcs color wheel 13 high-gloss coating colors (including 1 CTO and 1 CTB)+ white light |
| | Gobo | 1 metal gobo plate 17 gobo + white light, step conversion pattern, with variable speed jitter, two-way variable speed flow effect |
| | Prism | 1pcs 8 prism +1pcs 8+16 double-layer honeycomb prism, superimposed to obtain 16+24 double-layer prism, can be independently rotated, with two-way variable speed rotation effect |
| | Six-color wheel | 6 high-gloss coating colors, with prism can produce six-color prism effect |
| | Frost | 1 independent frost plate, which can convert the beam into dyeing effect |
| | Scanning | horizontal 540 degrees 2.3S/ cycle, vertical 270 degrees 1.2S/ cycle, three-phase motor |
| | Display function | touch screen, screen can be reversed, switch between Chinese and English, automatic screen off/permanent screen |
| | Over temperature protection | high sensitivity ceramic temperature control full control |
| | Safety protection | Automatically cut off the power supply when the body overheats or the system fails |
| Working parameters | Operating voltage | AC100V-240V (50/60HZ), Total rated powe 800W, Rated current 3.64A, Power factor 0.99 |
| Light parameters | IP rate | IP20 |
| | Net weight | 18KG |